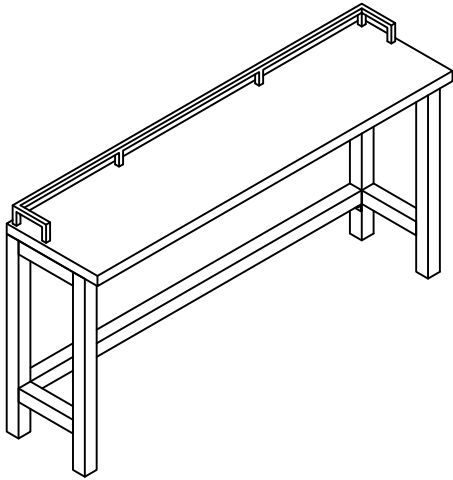





ASSEMBLY INSTRUCTION



NO.:	HARDWARE LIST	Q'TY
A		22
B		22
C		1

